

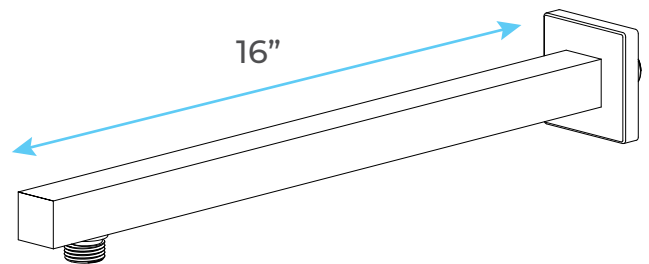
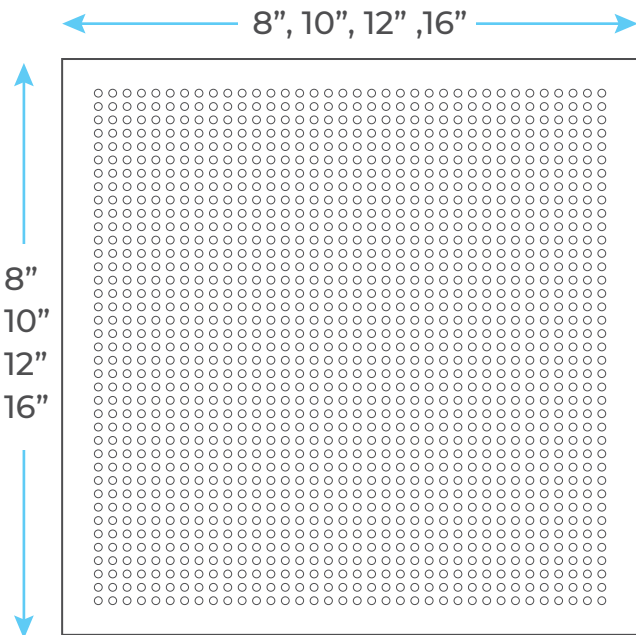
# NAPOLI RAINFALL THERMOSTATIC SHOWER SET WITH FAUCET SPECS



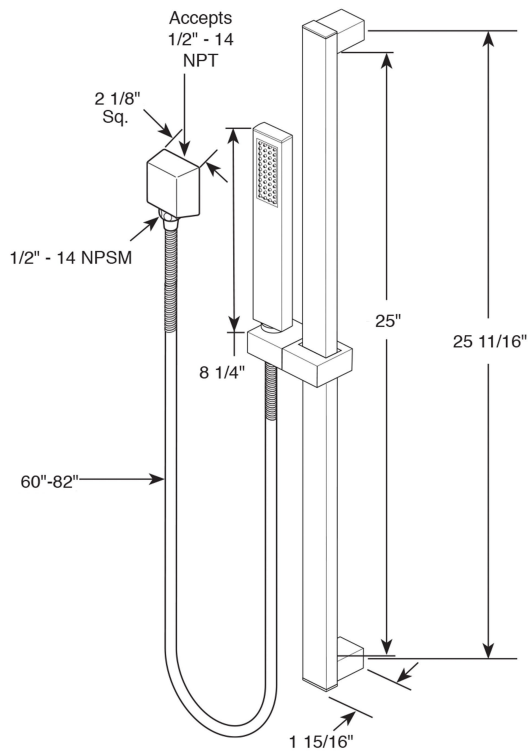
## Specifications

- Type: Shower Set
- Shower Head Size: available 8", 10", 12" & 16"
- Brass Valve water pressure balance control
- Standard plumbing connection-Shower panel unit is pre-plumbed
- All functions work independently to ensure the proper water pressure
- Ceramic Disc Technology
- ½" NPT Inlets and outlets compatible with standard US plumbing connections
- Pre-set maximum temperature 104°F
- The recommended pressure for best performance 2 to 75 psi
- The flow rate is 2.5 GPM

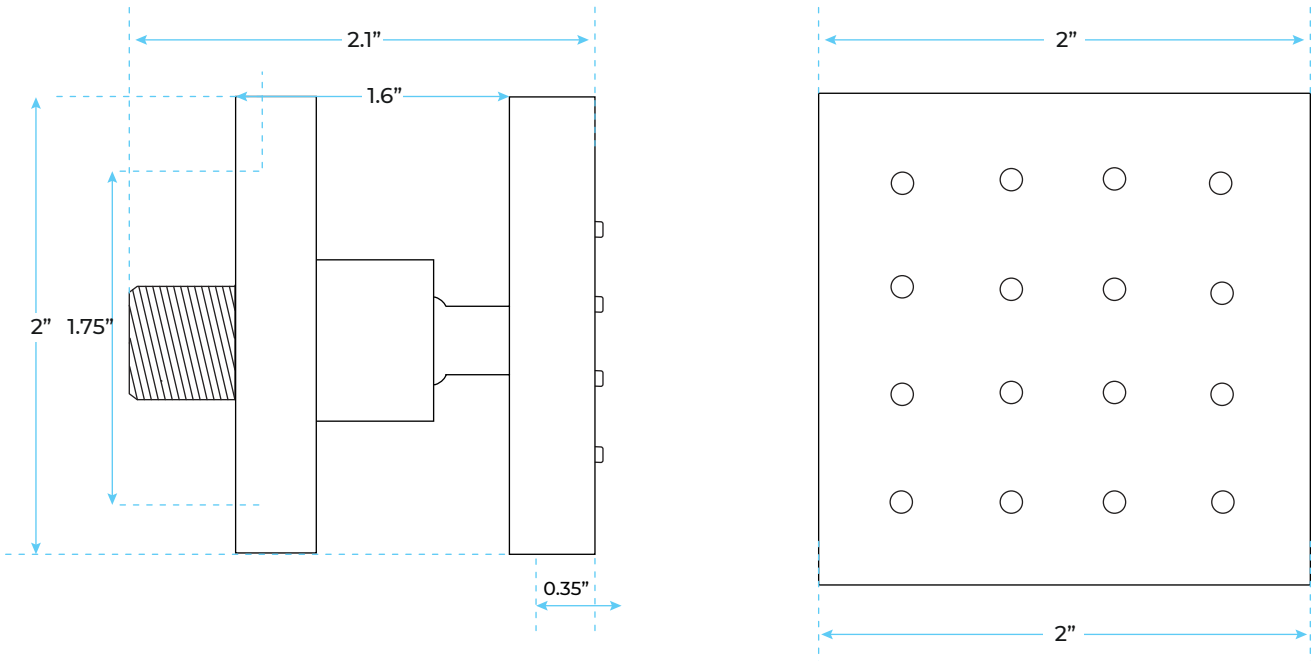
## Shower Head Size:



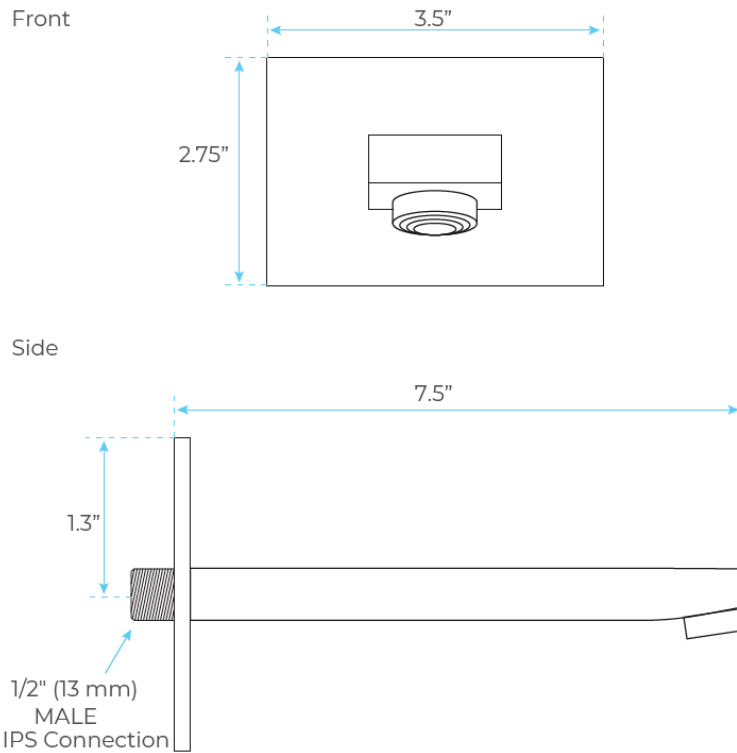
**Hand Shower Size:**



**Body Jets Size:**



**Tub Spout Size:**



**Mixer Connection :**

